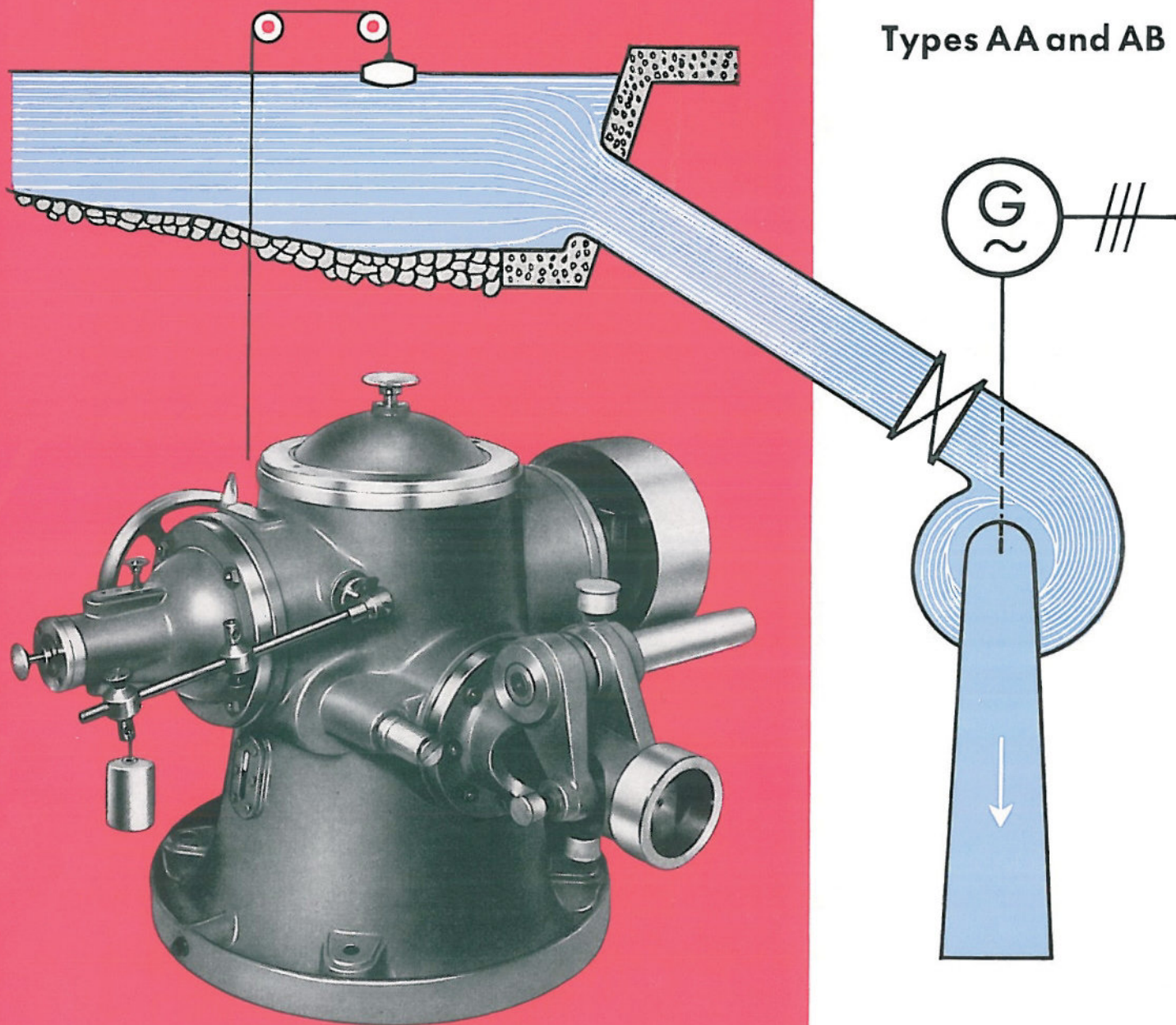


JAHNS

WATER TURBINE GOVERNORS

Well tested
Universal
Reliable
Precise
Simple
Sturdy

Types AA and AB



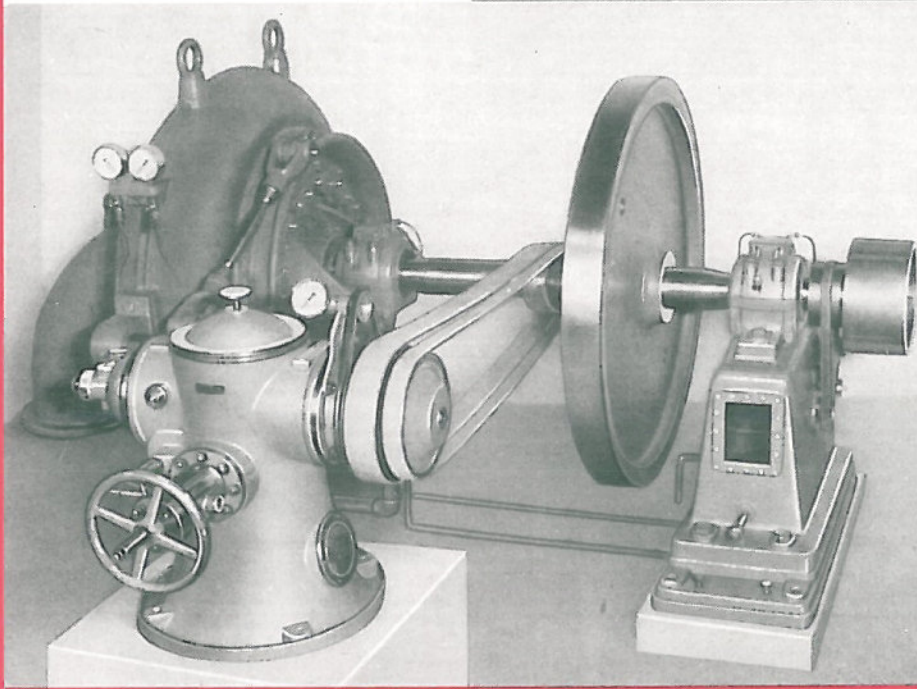
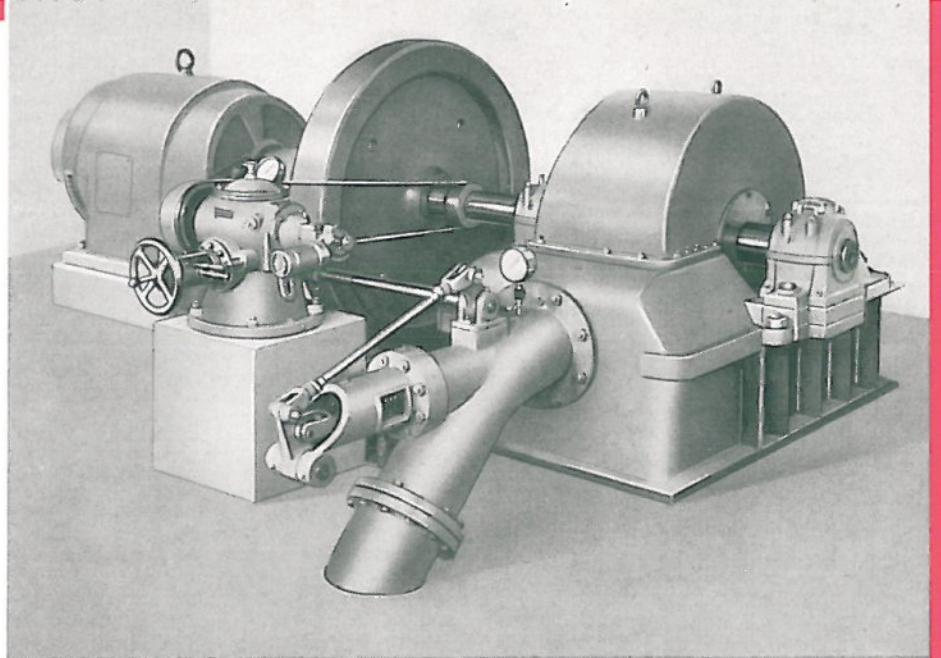
Our governors of System "Jahns", Types AA and AB, work according to the flow principle. The mechanic speed measuring pendulum being highly sensitive (knife-edge bearing) and the frictionless jet controls guarantee precise regulating. Normally, the governor is executed as a proportion action controller. Every governor is equipped with a damping device. In difficult cases (small centrifugal mass of turbine) the governor is constructed as an integral action controller. Water level regulators, electric speed control and electric quick closing can be provided for in a simple way. Every sense of rotation, every sense of closing and eight different positions of the regulating shafts can be fitted and supplied without increase in price.

Since 1920 our governors have been experienced a thousand times. Whether it be a Pelton, a Francis or a Kaplan Turbine, shaft construction or spiral casing, vertical or horizontal turbine shaft, the "Jahns" Governor can always be adapted easily to the kind and construction of the turbine. We are quite disposed to submit you a proposal for mounting. Please write to us. Your plant will become modern and economic with the aid of "Jahns" Governors.

Governor AA 3, energy 64 kpm with electric setpoint adjustment, regulates a free jet turbine.

H = 221 m Q = 148 l/s
N = 280 kW n = 1200 r.p.m.

Workshop picture

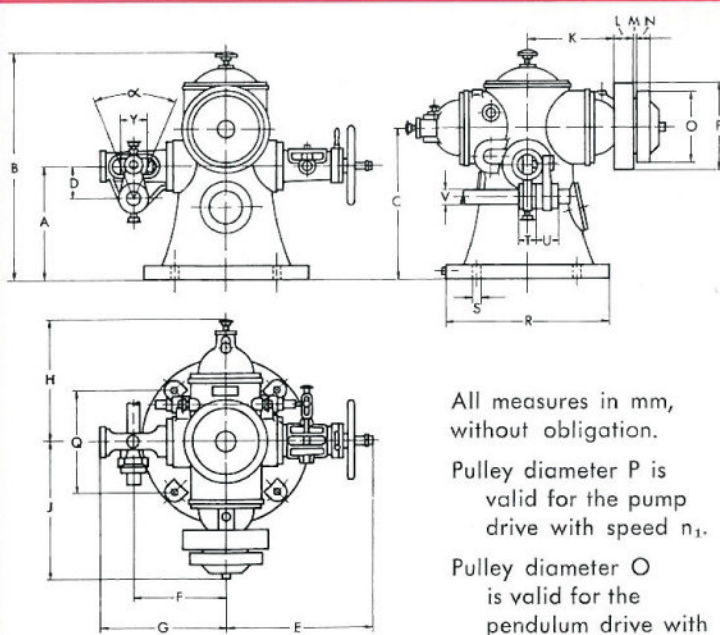


Little attendance, reliable action and precise frequency of the water turbines are guaranteed by the inexpensive "JAHNS" Governors in small and large plants. For calculating the data of the governors we need, apart from the details as to the turbines, the measures of the pipes (as far as they are existent). Please write for a query-sheet. Our experiences will help you in obtaining a plant that is economic and works in a satisfactory manner.

Governor AB 4 - energy 125 kpm - regulates a Francis Turbine.

H = 50,7 m Q = 1000 l/s
N = 410 kW n = 1200 r.p.m.

Workshop picture



All measures in mm, without obligation.

Pulley diameter P is valid for the pump drive with speed n_1 .

Pulley diameter O is valid for the pendulum drive with speed n_2 .

The governors are supplied according to our Figures 106 to 153. Please write for a special leaflet. The governors from AA 1 to AB 4 can be executed also without regulating lever. (See special leaflet).

No. [kpm]	AA 1 16	AA 2 32	AA 3 64	AB 4 125	AB 5 250	AB 6 500
A	175	200	265	455	510	560
B	410	480	575	900	1010	1130
C	250	290	365	600	675	745
D	75	90	101	125	165	200
E _{max}	380	435	535	640	750	1060
F	215	245	300	365	445	525
G	295	335	405	500	625	740
H	310	325	410	490	575	625
J	300	330	395	545	655	690
K	200	220	280	350	390	430
L	55	70	85	80	100	120
M	—	—	—	10	10	10
N	—	—	—	50	55	60
O	—	—	—	320	390	450
P	180	220	250	385	425	500
Q	210	243	300	405	465	528
R	350	400	500	650	750	850
S	18	18	18	27	28	35
T	40	45	55	70	95	120
U	50	55	60	90	120	150
V	30	35	40	60	80	100
α°	45°	45°	45°	45°	45°	45°
Y	60	68	80	100	125	160