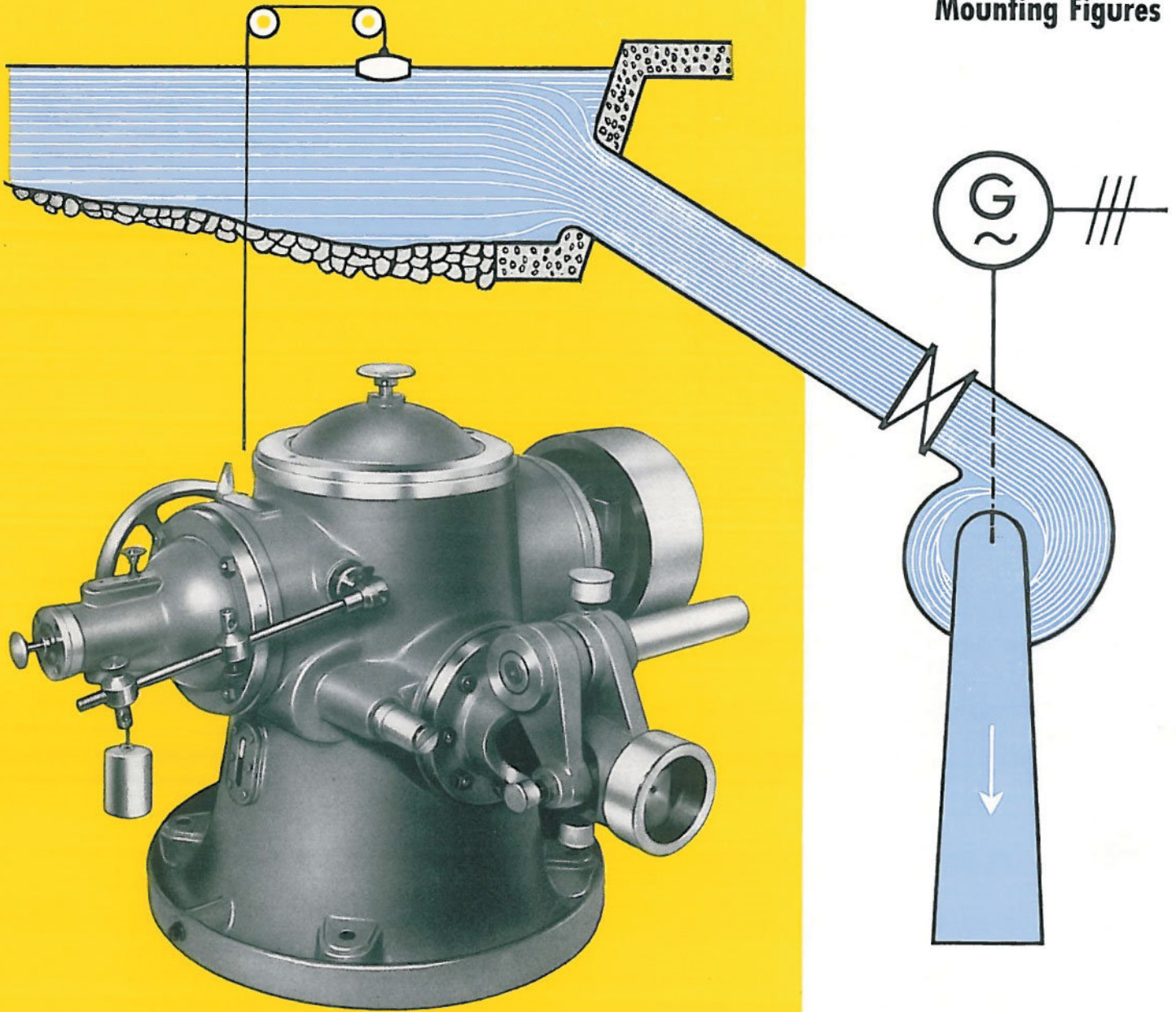


# JAHNS

## WATER TURBINE GOVERNORS

well tested  
universal  
reliable  
precise  
simple  
sturdy

### Mounting Figures

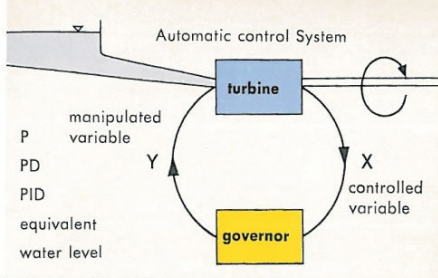


General Prospectus WTM 61

The standard type of our Water Turbine Governors can be supplied according to 48 different mounting figures shown on the following pages. These governors can be used, apart from water turbines, for the speed regulation of steam engines, large gas engines etc. The governors can be fitted with all accessories, as water level regulation, rapid closing, electric speed adjustment etc.

**Our governors have been experienced 10 000 times in continuous working at power engines of all kinds.**

Therefore make use of our experiences. Ask for our question-forms for water turbine governors. We will consult you to your advantage. Turbine and governor, the automatic control system, are to be adjusted in the best way to guarantee undisturbed working.



Execution B

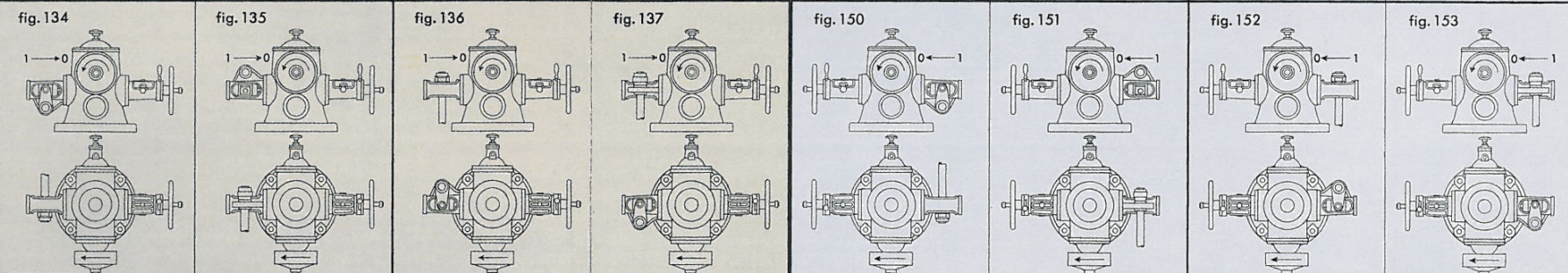
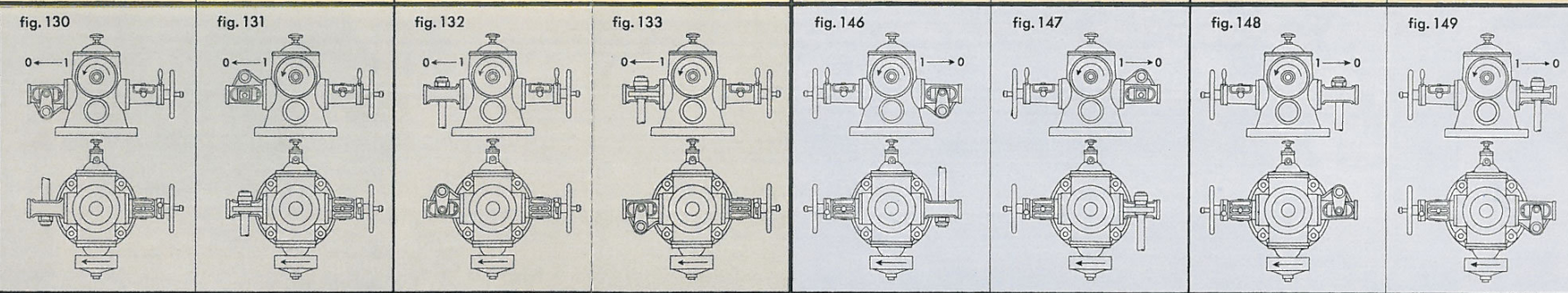
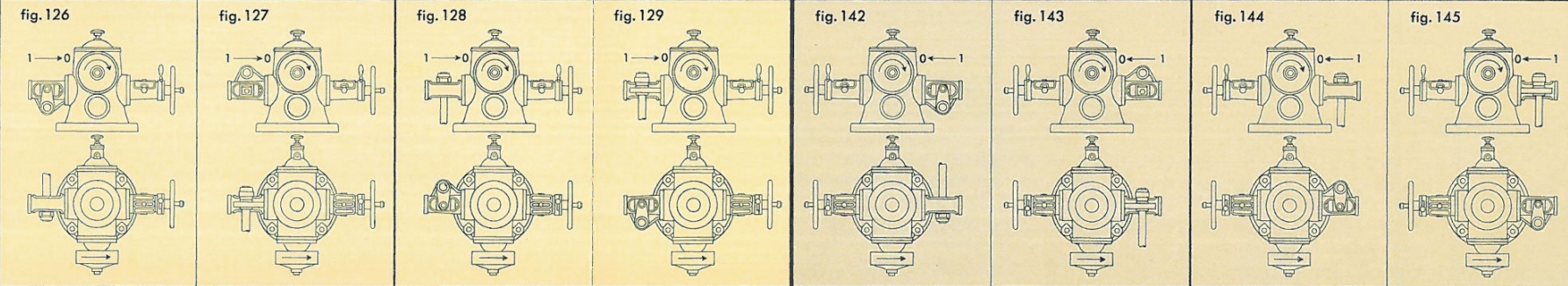
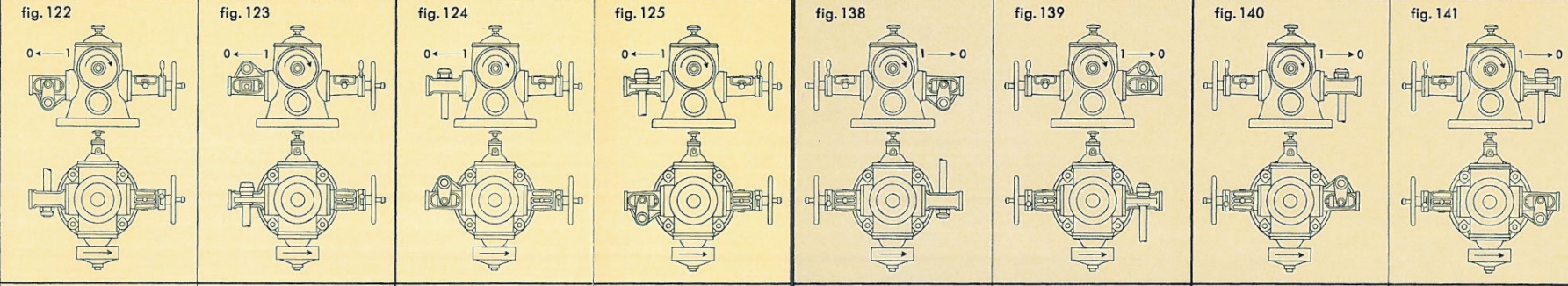
# Governors with regulating lever

for all sizes of governors

One of the 42 different mounting figures 106 to 153 of our governors will be assembled in our workshop according to your wishes. The governors can be changed later on, to be sure, however there will be required different exchange parts, and the governors must be assembled once more by our specialists. Therefore we request you to determine the mounting figure carefully by means of this prospectus and to name it to us when placing your order.

handwheel right				handwheel left			
regulating shaft horizontal		regulating shaft vertical		regulating shaft horizontal		regulating shaft vertical	

regulating shaft horizontal		regulating shaft vertical		regulating shaft horizontal		regulating shaft vertical	
-----------------------------	--	---------------------------	--	-----------------------------	--	---------------------------	--



The mounting figures shown here are applicable for all sizes and types of our

**Speed Governors**  
AA, AB,

0 ← signifies: turbine closed opening 0 %  
1 → signifies: turbine opened opening 100 %

The arrows of the figures indicate the sense of rotation.

sense of rotation right

sense of rotation left



since  
1905

Execution A

# Governors without Regulating Lever with joining eye for a fork

Governors of this type can be supplied only up to an energy of 64 kpm (size AA 3)

		handwheel right		handwheel left	
		bolt horizontal	bolt vertical	bolt horizontal	bolt vertical
sense of rotation right	fig. 106				
	fig. 110				
	fig. 114				
	fig. 118				